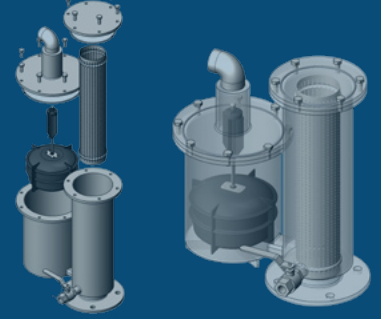




VS-4-LP Low Profile

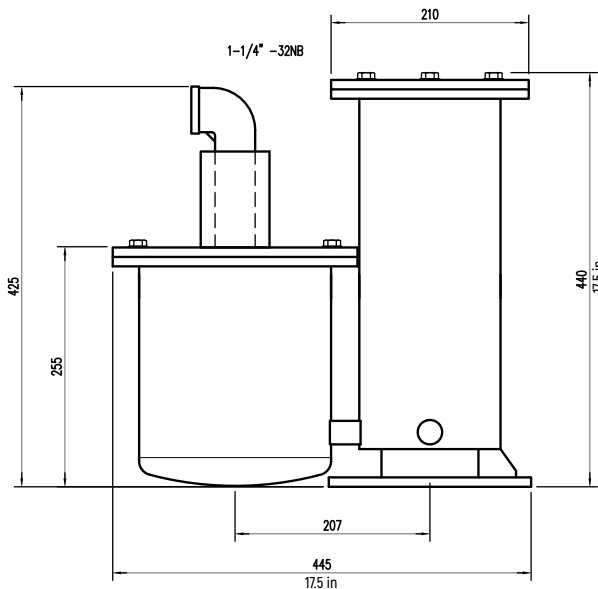
Combination Air Release Valve for Sewage
and Potable Water Mains



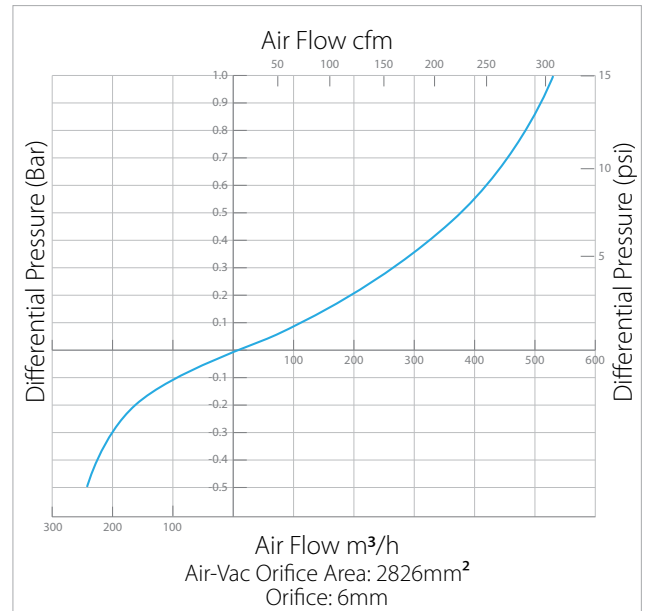
VS-4-LP Low Profile		
Weight	23 kg	50 lb
Air-Vac Orifice	1160 mm ²	1.75 in ²
Auto Orifice	10.2 mm ²	0.01 in ²
Anti-surge Orifice	(variable) mm ²	
Emergency Vacuum Orifice (optional)		
Single	1900 mm ²	2.85 in ²
Double	3400 mm ²	5.7 in ²
Others	Optional	

Twin valve chamber model is available. This will double all air flows.

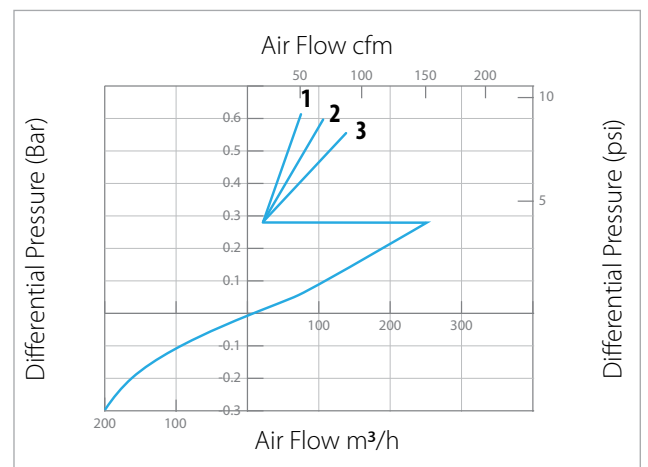
Australia	Table D 100mm (4 hole)
USA	ANSI 4" x 9" (8 hole)



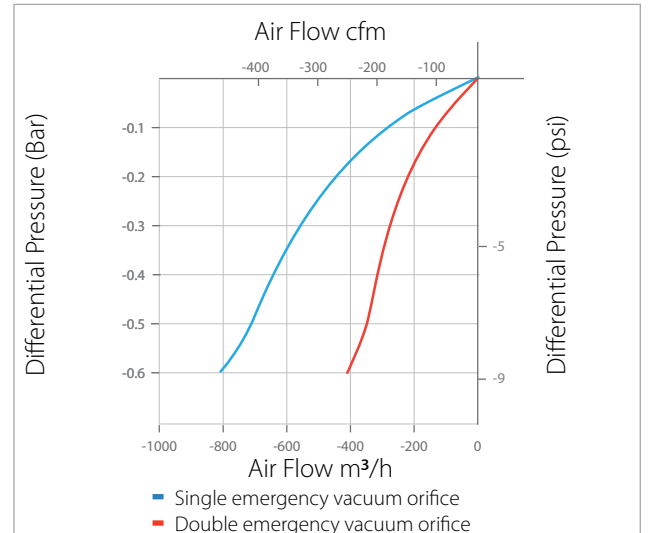
Air-Vacuum Graph



Optional Adjustable Anti-Surge



Optional Emergency Air In Vacuum Control



Australian Distributor:

Australian Designed and Manufactured by
Odour Technologies Pty Ltd

W: www.odourtechnologies.com.au

E: enquiries@odourtechnologies.com.au

T: +61 (0)7 3287 7020

American Distributor:

Ferguson Waterworks

W: www.ferguson.com

E: Joe.Gresia@Ferguson.com

T: +01 (858) 391 3700